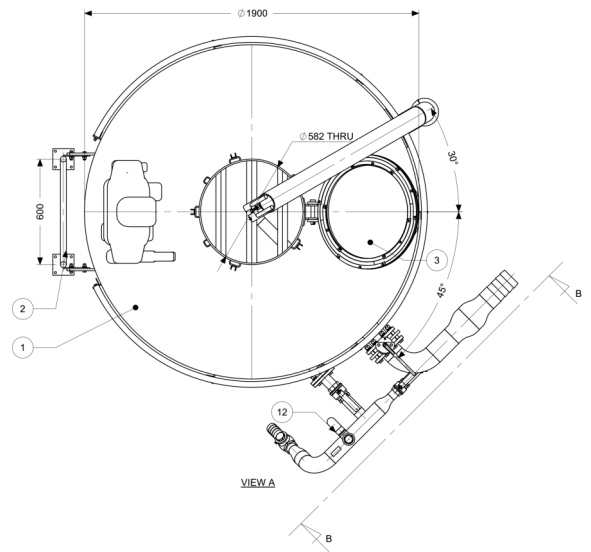
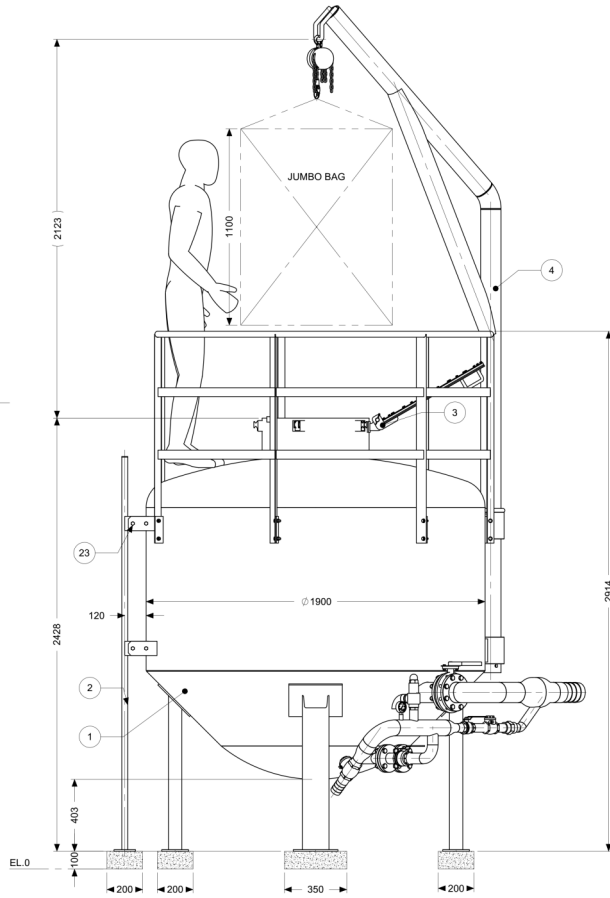




Hi-Blow system is used to blow packs of Portland cement from the vessel to the Silo, if the bulk cement transport not available



Hi-Blow Specifications:

Capacity	=	3 T/cycle
Pressure	=	2 Bar
Motor Power	=	22 kW 4P 380VAC
Supported Hoist	=	1000 Kg

Office & Factory :

Jalan Simpang Tiga Setu No.39 Tambun, Bekasi 17510
Jawa Barat, INDONESIA

Phone : +62 (21) 8830177-79 Fax. : +62 (21) 8830180

Email : marketing@mbwpt.com Website : www.mbwpt.com